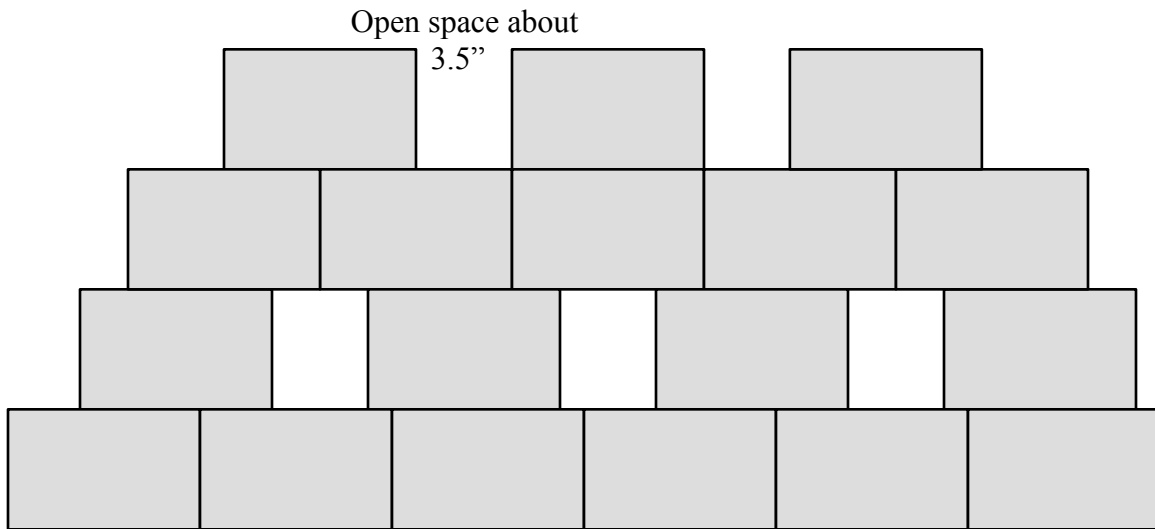
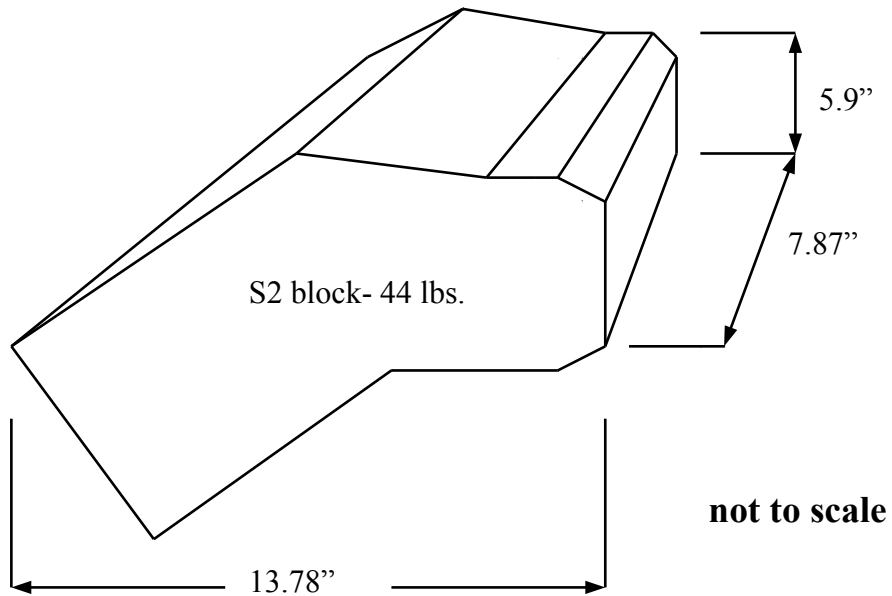


Slope block S2 type (6"x 8") Alternating assembly
 block weight and dimensions



Alternating assembly: one row closed next row open.
First and last course always closed

First and last course **Closed** assembly (**3 blocks/facial sq. ft.**)

Open assembly (**2 blocks/facial sq. ft**)

For high walls, assembly in **Alternating** (**2.5 blocks/ facial sq. ft.**)